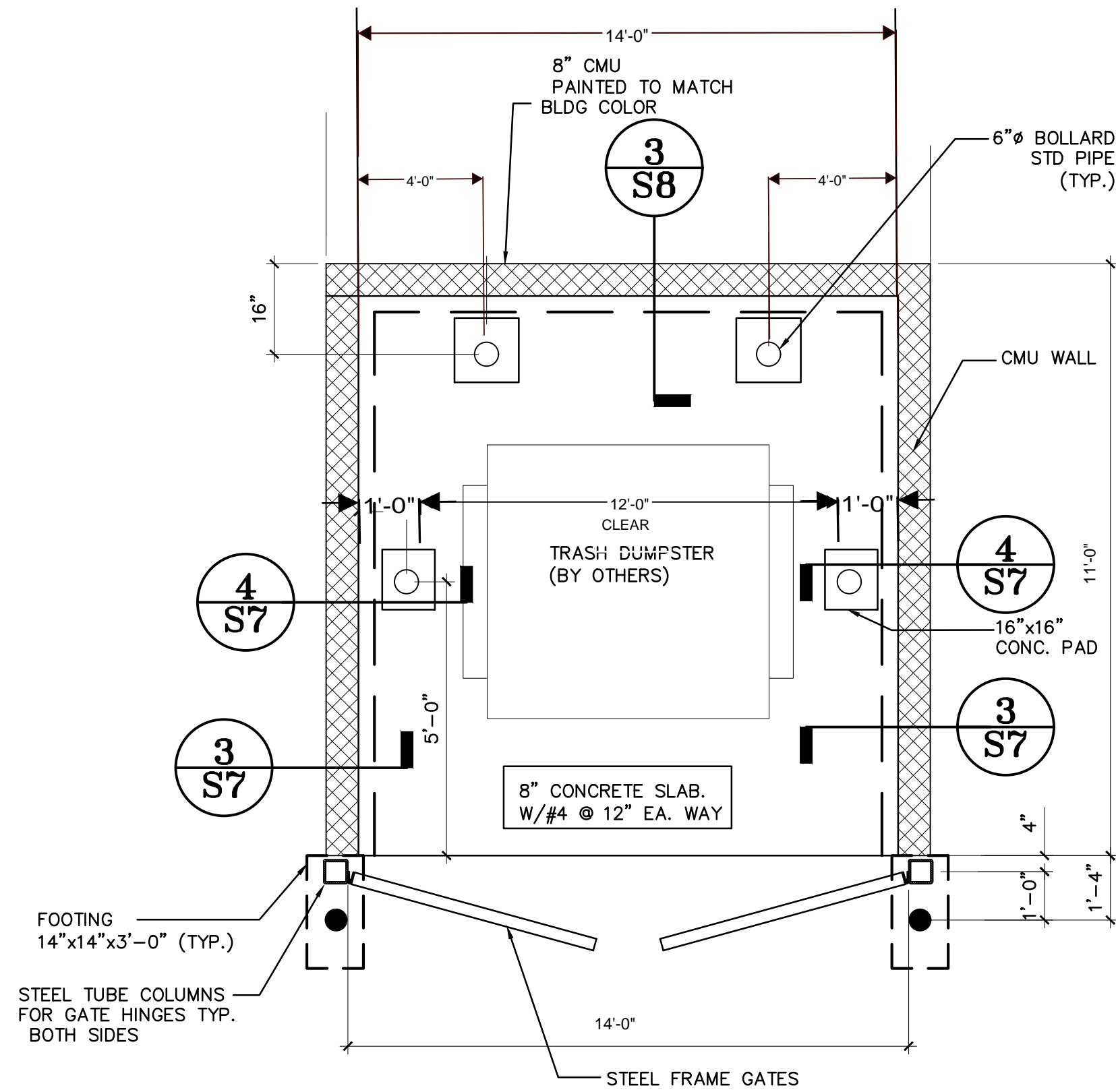
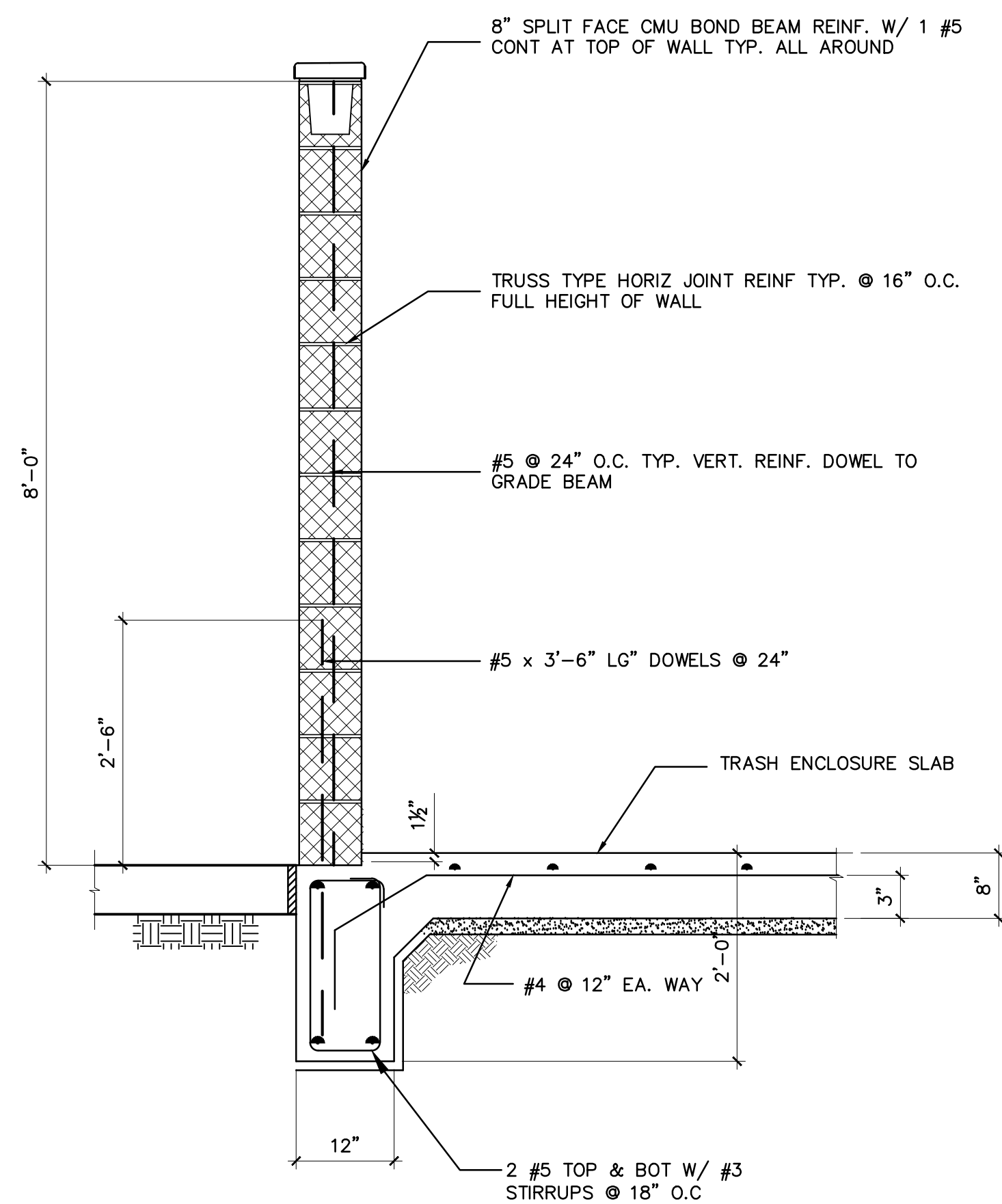


**1 TRASH ENCLOSURE GATE ELEV.**

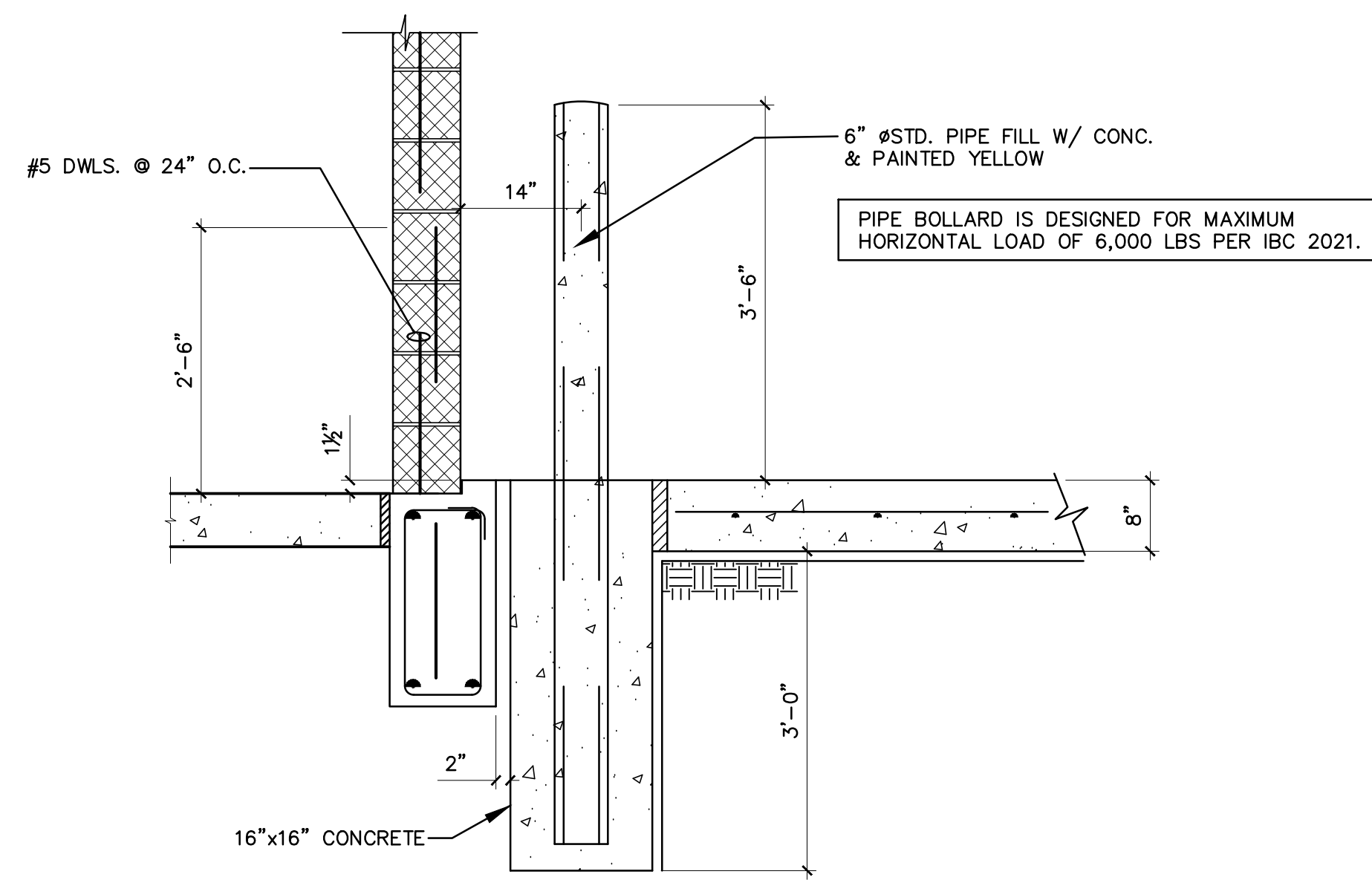


DUMPSTER ENCLOSURE IS DESIGNED FOR ULTIMATE DESIGN WIND SPEED 139 MPH, RISK CATEGORY II AS PER IBC 2021

**2 DUMPSTER ENCLOSURE PLAN**

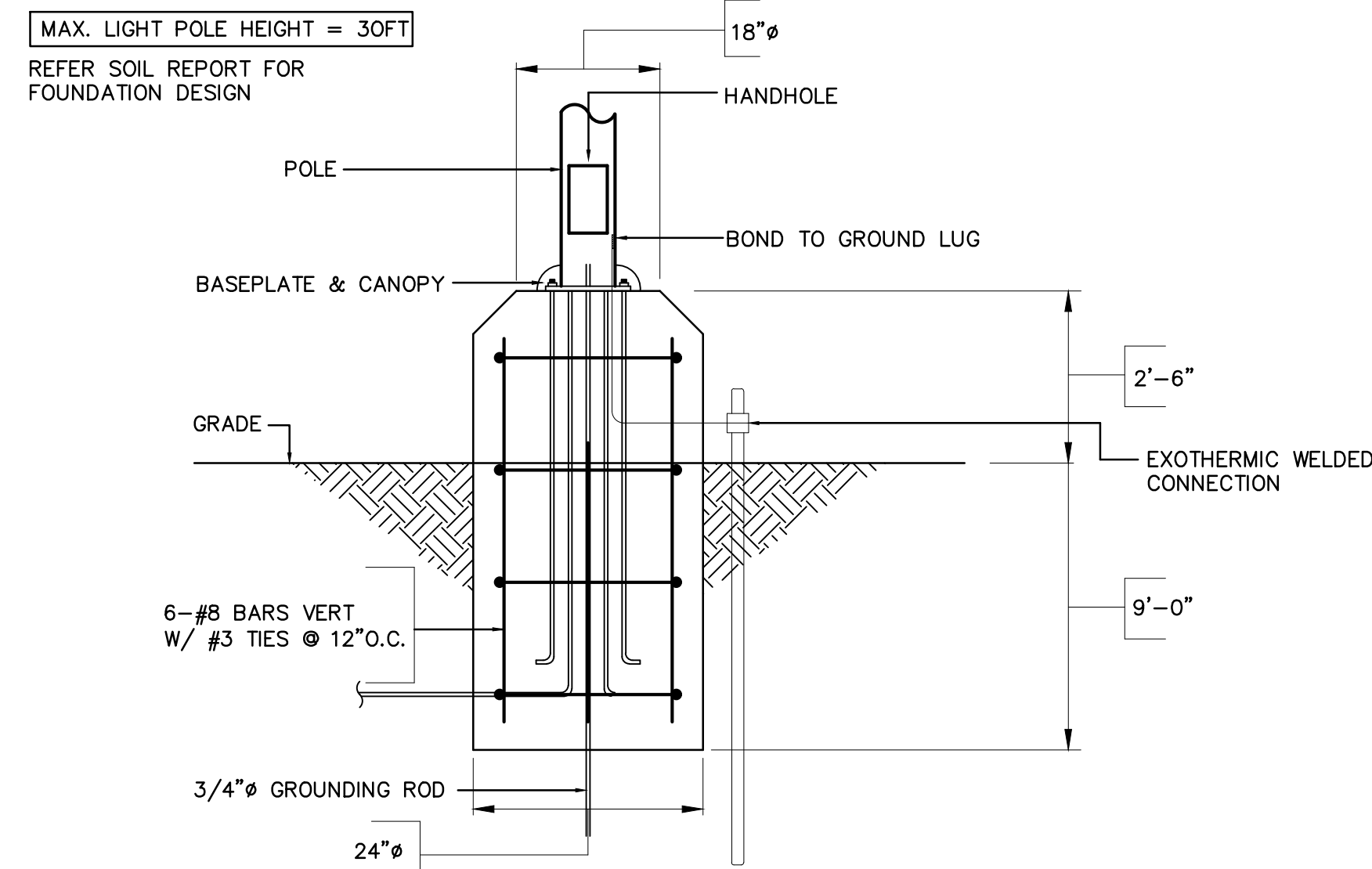


**3 TRASH ENCLOSURE WALL/ FOUNDATION**



PIPE BOLLARD IS DESIGNED FOR MAXIMUM HORIZONTAL LOAD OF 6,000 LBS PER IBC 2021.

**4 SECTION: BOLLARD & WALL**



MAX. LIGHT POLE HEIGHT = 30FT  
REFER SOIL REPORT FOR FOUNDATION DESIGN

NOTE:  
THIS IS BASE DETAIL IS FOR GENERAL INFORMATION ONLY.  
CONTRACTOR SHALL VERIFY WITH THE PARKING LIGHTS VENDOR FOR FINAL INSTALLATION DETAIL, PERFORM AS PER REQUIREMENTS.

POLE FOUNDATION IS DESIGNED FOR 139 MPH WIND SPEED RISK CATEGORY II.

**5 LIGHT POLE BASE**

**DUMPSTER PLAN & DETAILS**

**SHOPS AT BLINN**

2100 E 29TH STREET  
BRYAN TEXAS 77802

**ISSUE HISTORY**

DATE	ISSUED FOR
02/23/26	PERMIT

02/23/2026



**PE** BUILDINGS  
BRIDGES  
INSPECTIONS  
MARINE STRUCTURES  
CIVIL ENGINEERING &  
STRUCTURAL ENGINEERING

**PARAMOUNT  
ENGINEERING  
LLC**

10145 LONG POINT DR.  
HOUSTON, TX 77043  
TEL : (713) 636-9977  
FAX : (713) 888-9872  
CEL : (713) 204-1742

TBPE REGISTRATION # F-3394

DRAWN BY: NM CHECKED BY: MM

PROJ. NO.: PE25-240

SHEET: **S7**